

Jetwing™ Linear Assembly Solution

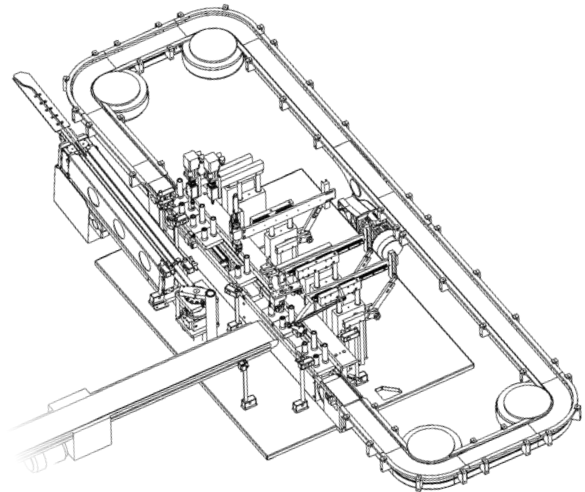


EXCEPTIONALLY VERSATILE AND CUSTOMIZABLE

Based on standard modules that can be easily combined for a tailored assembly line, making you more responsive to changing market demand. Optionally for cleanrooms up to Class 8. Customization options such as manual workstations, feeder units or tray handlers. Perfect for manufacturing high volumes of items with short lifecycles.

Jetwing™ allows for quick retooling of stations to accommodate new products or variants. Perfect for both semi- and fully-automated assembly. A wide variety of customization options such as manual workstations, feeder units or a tray handler. Interlink up to six Jetwings to handle even very complex tasks. All process technologies and testing systems can be integrated, such as vision systems and tests for leakage and back pressure.

High-speed, modular system for product development, pilot, and production purposes



/// Benefits

- **Exceptionally versatile**

The compact, linear assembly system enables you to switch to a new product virtually overnight. That makes it ideal for products with a small number of parts, or that are still under development. What's more, it's perfect for manufacturing high volumes of items with short lifecycles, and for both semi- and fully-automatic assembly.

- **Modular**

Jetwing™ is based on standard modules that can be easily combined for an assembly line tailored to your needs. You can connect the standard platform, functional stations, test/inspection and transfer modules via standard interfaces to create an end-to-end solution. Stations can be quickly retooled for new products or variants. This not only saves you a huge amount of time – but also makes you more responsive to changing market demand. In fact, Jetwing™ lines are often designed to handle multiple product variants from the outset.

- **Customizable**

Jetwing™ comes with a wide variety of customization options. You can include manual workstations, feeder units or a tray handler. Up to six Jetwings can be interlinked to handle even very complex tasks. All process technologies and testing systems can be integrated, such as vision systems and tests for leakage and back pressure.

- **The right drive**

Jetwing™ is equipped with a twin drive, comprising a cam drive for the stations with a servomotor-powered spindle drive for the trays. The pallets are mechanically indexed forward on the assembly platform, and returned via a conveyor belt.

- Modular design
- Combinable with manual workstations
- Twin drive
- Short lead times and rapid retooling
- Reusable
- Individual functions can be replaced
- Optionally for cleanrooms up to class 1000

/// Specs

- Basic Dimensions: 1,120 x 1,540 x 2,300 mm
- Number of stations: up to 12
- Number of tracks: multiple-track assembly possible
- Cycle speed: infinitely variable, up to 80 cycles per minute
- Positional accuracy: +/- 0.02 mm
- Pallet dimensions: 100 x 100 and 200 x 100 mm

Looking for a flexible partner? We're ready to go into production when you are.



Contact us at lifesciences@atsautomation.com

ATSLIFESCIENCES.COM

ATS, ATS LOGO and ATS LIFE SCIENCES SYSTEMS LOGO are trademarks of ATS Corporation and may not be used without permission.

///ATS™

LIFE SCIENCES SYSTEMS